

Preliminary Information



AMD-760TM MPX Chipset Overview

**Publication Identification Number: 24494 A
December 2001**

Publication #: **24494** Rev: **A**
Issue Date: **December-2001**

© 2001 Advanced Micro Devices, Inc. All rights reserved.

The contents of this document are provided in connection with Advanced Micro Devices, Inc. ("AMD") products. AMD makes no representations or warranties with respect to the accuracy or completeness of the contents of this publication and reserves the right to make changes to specifications and product descriptions at any time without notice. No license, whether express, implied, arising by estoppel, or otherwise, to any intellectual property rights are granted by this publication. Except as set forth in AMD's Standard Terms and Conditions of Sale, AMD assumes no liability whatsoever, and disclaims any express or implied warranty, relating to its products including, but not limited to, the implied warranty of merchantability, fitness for a particular purpose, or infringement of any intellectual property right.

AMD's products are not designed, intended, authorized or warranted for use as components in systems intended for surgical implant into the body, or in other applications intended to support or sustain life, or in any other application in which the failure of AMD's product could create a situation where personal injury, death, or severe property or environmental damage may occur. AMD reserves the right to discontinue or make changes to its products at any time without notice.

Trademarks

AMD, the AMD Arrow logo, AMD Athlon, and combinations thereof, AMD-760, AMD-762, AMD-766, and AMD-768 are trademarks of Advanced Micro Devices, Inc.

Other product names used in this publication are for identification purposes only and may be trademarks of their respective companies.

Contents

Overview.....5

AMD-762™ System Controller.....7

AMD-768™ Peripheral Bus Controller.....8

Figure 1. AMD-760™ MPX Chipset High-Level System Architecture6

Revision History

Date	Revision	Description
A	December 2001	Initial Public Release.

Overview

The AMD-760™ MPX chipset is a high performance two-way multiprocessor core logic solution for AMD Athlon™ MP class processors, offering **Multi-Processor eXtended (MPX)** performance over the AMD-760 MP chipset. Extended performance is offered by the 66-MHz/64-bit/32-bit PCI bus and a feature-rich peripheral bus controller offering PCI-to-PCI bridging capability along with AC '97 audio. The high-performance of the chipset is attributed to an enhanced AMD Athlon system bus, support for DDR (Double Data Rate) memory technology, and AGP-4X Graphics Interface.

The AMD-760 MPX chipset consists of the following components:

- AMD-762™ System Controller (Northbridge)
- AMD-768™ Peripheral Bus Controller (Southbridge)

Together, these components provide a powerful solution for Workstation and Server class platforms.

Key features of the chipset are as follows:

- Dual high-speed 266 MHz¹ AMD Athlon system buses, supporting up to two processors
- PC2100² DDR memory subsystem supporting up to 4 GB of memory
- AGP-4X Graphics Interface (supports 1X and 2X modes)
- Primary PCI 2.2 compliant 66-MHz/64-bit/32-bit PCI Bus
- Secondary PCI 2.2 compliant 33-MHz/32-bit PCI Bus
- Two-channel ATA 33/66/100 support
- LPC bus
- Thirty-two general-purpose IO (GPIO) pins
- USB OHCI host controller supporting four ports
- SM-Bus
- IOAPIC support
- Serial IRQ support
- Power Management support
- AC '97 Audio support

These features combine to deliver unprecedented performance to platforms implementing AMD processor technology.

¹ The 266-MHz speed represents a 133-MHz clock signal with data transfers on both clock edges. This is calculated as (a 133-MHz clock) x (2 data transfers/clock) = 266 M transfers/sec = 266-MHz data rate.

² PC2100 represents DDR memory DIMMS that provide data rates of 2100 MB/sec. This is calculated as (a 133-MHz clock) x (2 data transfers/clock) x (8 Bytes/transfer) ≈ 2100 MB/sec.

Figure 1 shows the system architecture of the AMD-760 MPX chipset.

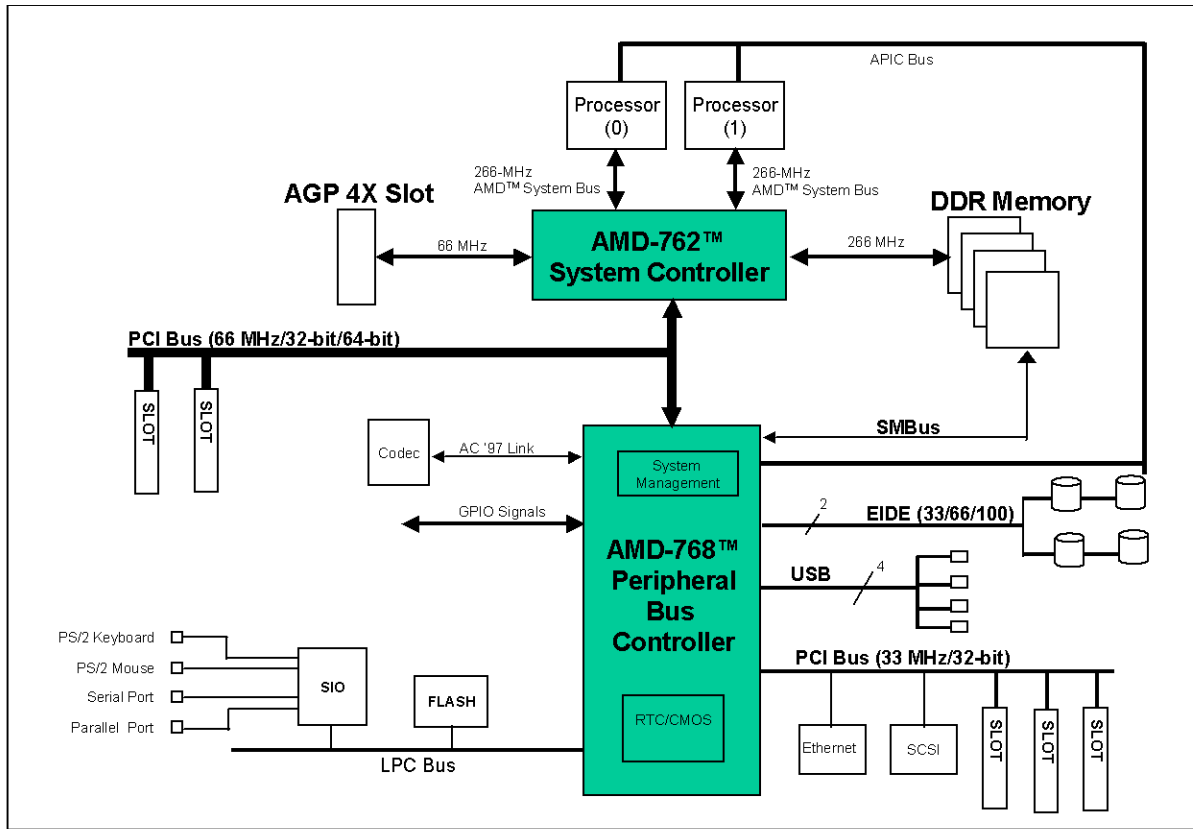


Figure 1. AMD-760™ MPX Chipset High-Level System Architecture

AMD-762™ System Controller

The AMD-762 system controller provides the bridging function between the high-speed host-processor buses, AGP graphics subsystem, DDR memory subsystem, and the PCI interface.

Key features of the AMD-762 system controller are as follows:

- Two 266 MHz point-to-point AMD system buses, providing uniprocessor or two-way symmetric multiprocessor capability
- PC2100 DDR (Double Data Rate) Memory Controller with support for up to 4 GB of memory space (supports four Registered DIMM slots)
- AGP-4X Interface (supporting 1X and 2X modes)
- Dual Mode PCI 2.2-Compliant PCI Bus Interface
 - 66-MHz clock with 32-bit and 64-bit data path support (supports up to two PCI slots³)
 - 33-MHz clock with 32-bit and 64-bit data path support (supports up to seven PCI devices⁴)
- A 949-pin Ceramic Column Grid Array (CCGA) package
- 2.5 V Core

³ The 66-MHz PCI bus mode is supported only with the AMD-768 peripheral bus controller.

⁴ The 33-MHz PCI bus mode is supported only with the AMD-766 peripheral bus controller. For more details, refer to the *AMD-760 MP Chipset Overview*, order # 24229.

AMD-768™ Peripheral Bus Controller

The AMD-768 peripheral bus controller is an Integrated Circuit (IC) that serves as the I/O hub, interface module, or Southbridge component of personal computer chipsets. The AMD-768 peripheral bus controller connects to a host memory controller through the PCI bus and provides a secondary PCI-bus bridge.

- Host (primary) PCI bus utilizing a 66MHz/32-bit interface (PCI 2.2 Compliant)
- Secondary 33MHz/32-bit PCI bus interface (PCI 2.2 Compliant), including PCI bus arbiter with support for up to eight external devices
- AC '97 Soft Audio Controller⁵
- UDMA 33/66/100 compatible EIDE bus master controller:
 - Support for a primary and a secondary dual-drive ports
 - Supports PIO modes 1–4
 - Multi-Word DMA
 - ATAPI
 - Two separate FIFOs for DMA accesses
- OHCI-based USB host
 - Includes a root hub and supports for four ports
 - Supports specification version 1.1
- Extensive ACPI-compliant Power Management logic:
 - Programmable C2, C3, Power-On-Suspend states
 - Suspend-to-RAM
 - Suspend-to-Disk
 - Soft Off states
 - Throttling
 - Device monitors
 - Hardware traps
 - System inactivity timer
- Privacy/security logic, including ROM access control
- Thirty-two General Purpose I/O (GPIO) pins (Many pins are multiplexed with other hard-wired functions.)
- Legacy-AT Compatible Logic:
 - Interrupt Controller (8259-based)

⁵ The AMD-768 peripheral bus controller does not support AC'97 Soft Modem.

- Programmable Interval Timer (8254-based)
- DMA Controller (for LPC bus)
- Legacy Ports
- Real-Time Clock (RTC):
 - 256 bytes of CMOS
 - Battery-powered RAM
 - ACPI-compliant extensions
- I/O APIC Controller
- Support for Distributed DMA and serial IRQ protocols
- SMBus controller with one SMBus port
- Random Number Generator
- A 492-pin BGA package; 26x26 BGA grid; 35x35 millimeters square
- Both 2.5-volt core and 3.3-volt output drivers; 5-volt tolerant input buffers